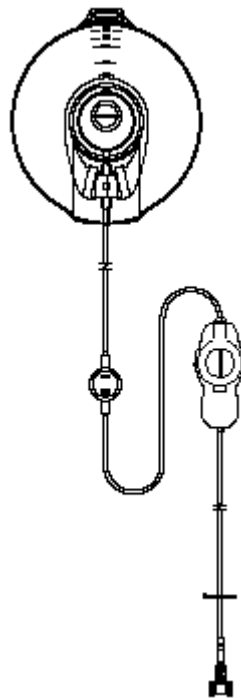


AutoSelector

Elastomeric infusion pump with flow regulator



Directions For Use

ACEMEDICAL

Indications

The AutoSelector is intended for continuous and/or intermittent infusion of medication for general infusion use, including antibiotic, chemotherapy and pain management therapies. Routes of administration include, intravenous, subcutaneous, intramuscular, and regional.

The AutoSelector is also intended for continuous and/or intermittent delivery of medication (such as local anesthetics or narcotics) to surgical wound sites and/or close proximity to nerves for preoperative, perioperative and postoperative regional anesthesia and pain management. Routes of administration may be intraoperative, perineural, epidural, or percutaneous.

Description

The AutoSelector is a silicone elastomeric infusion pump with flow regulator for drug delivery. Either continuous infusion only or continuous infusion plus bolus models are available. Reservoir sizes consist of 100ml, 275ml and 550ml. Various infusion rates, bolus volumes, and bolus lockout times are also available.

The AutoSelector allows you to adjust the flow rate according to the needs of your patients. AutoSelector variable flow regulator is available in two types ("A" Type = 0.5mL/hr to 7.0 mL/hr, "B" Type = 1.0mL/hr to 14.0mL/hr). The AutoSelector is supplied as a sterile, single-patient device.

The bolus option allows for patient controlled analgesia (PCA). The bolus device consists of a "wristwatch" type button. When the patient presses the bolus button, the device will immediately deliver the specified dose. The bolus chamber will re-fill over the specified lockout time in order to prevent over use of the bolus feature.

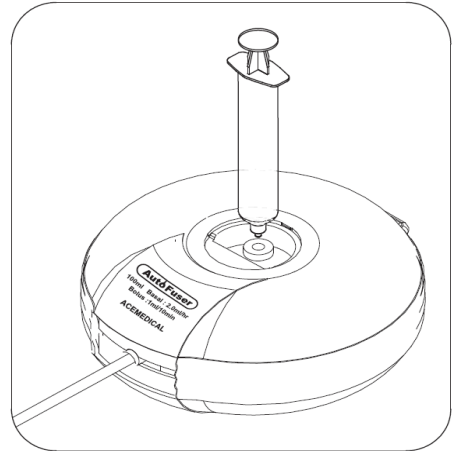
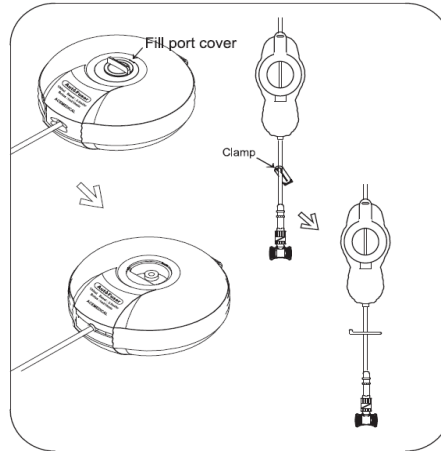
Contraindications

The AutoSelector is contraindicated for the infusion of blood, blood products, lipid emulsions, life-supporting medications, and for the use by persons who do not possess the physical and mental capabilities necessary to self-administer infusion therapy.

Cautions

- The user must be thoroughly trained and familiar with the operation of the AutoSelector.
- Medications must be used in accordance with manufacturer's instructions and must be compatible with the materials in the AutoSelector.
- Do not use if the packaging is damaged or previously opened. Sterility may be compromised.
- Store at controlled room temperatures. Keep away from moisture and direct sunlight.
- Do not exceed maximum reservoir volumes.
- Be sure to prime (purge air) tubing and catheter before connecting to patient.
- Always use aseptic technique when filling, priming and connecting the AutoSelector.
- Remove the lock key after setting flow rate.

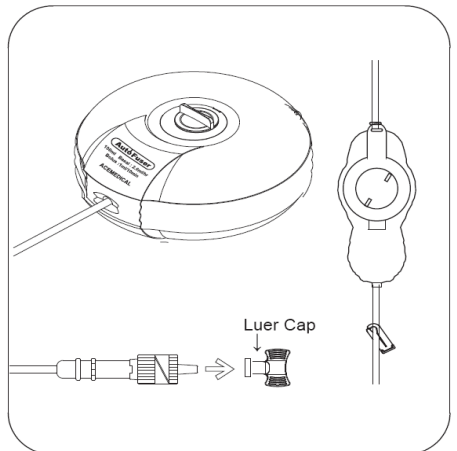
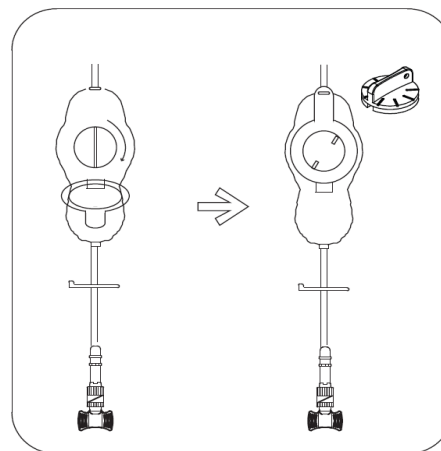
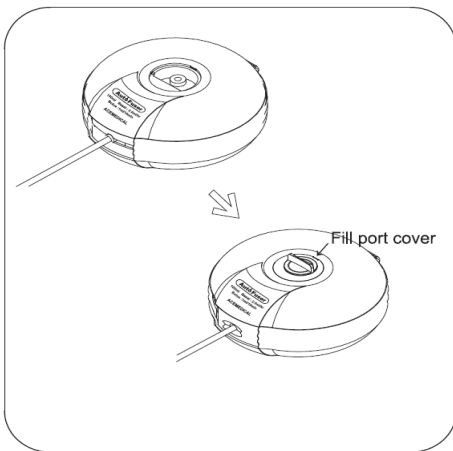
Directions For Use



1. Check the basal rate, bolus and volume of device before use.

2. Close the tubing clamp and open the fill port cover at the center of the AutoFuser.

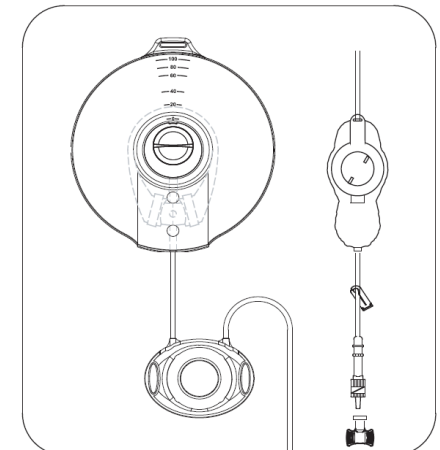
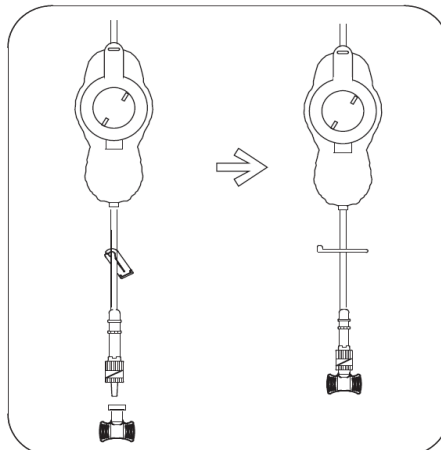
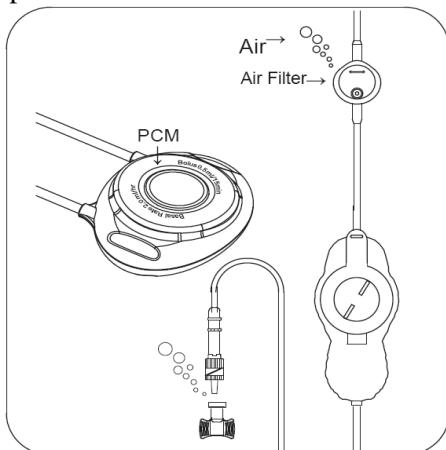
3. Using a syringe, fill the reservoir bag with desired medication.



4. Close the fill port cover and inspect the pump for any leaks or other problems.

5. Set the desired basal rate and remove the lock key.

6. Open the tubing clamp and remove the luer cap from the tubing end.



7. Remove all air from the PCM device by pressing PCM button 2~3 times.
8. Pinch the tubing shut with the clamp, re-attach luer cap.
9. Connect the patient after opening the clamp and removing the luer cap from tubing end.

Specifications

Volume size	100ml, 275ml, 550ml
Flow rate	A Type : 0.5mL/hr to 7.0 mL/hr, B Type : 1.0mL/hr to 14.0mL/hr
Bolus volume	0.5, 1.0, 2.0, 5.0 ml
Lockout time	10, 15, 30, 60 min
Accuracy	100ml (±10%), 275ml (±15%), 550ml (±15%)
Residual volume	100ml : 5ml↓, 275ml : 10ml↓, 550ml : 15ml↓
Air Filter	1.2 μm

- The AutoSelector contains no latex and DEHP.
- Sterilization Method: Ethylene Oxide
- The pump is calibrated with no head height, flowing 0.9% normal saline at room temperature (approx 25 °C). Average flow rate varies from unit to unit by up to +/- 15% of the labeled nominal rate when flowing at the standard conditions as identified above.

Manufactured By:

ACEMEDICAL

ACE Medical Co., Ltd.
30, Naeyoo-Dong, Deogyang-Gu,
Goyang-Si, Gyeonggi-Do, Korea
Tel: +82-31-969-0505

Fax: +82-31-969-0527
www.ace-medical.com